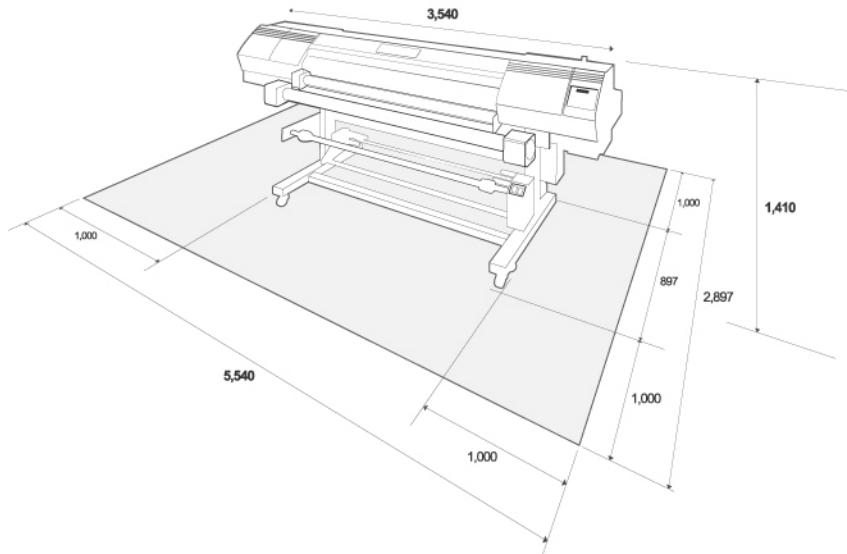


# Arachne

Specializes in chiffon printing.  
The Digital Textile Printer with the most effective price-performance.

MODEL	d-gen 748TX/C																
Maximum Printing Width	210 ~ 1,879mm																
Printing Method	Piezo Inkjet																
Printing Head / Color	4x2, 8x1 color																
Maximum Resolution	1,440 x 1,440 dpi																
Printing Speed	<table border="1"> <thead> <tr> <th></th> <th>8-Color Printing</th> <th>4-Color Printing</th> </tr> </thead> <tbody> <tr> <td>Draft Mode</td> <td>28m<sup>2</sup>/h, 450dpi, 2pass</td> <td>57m<sup>2</sup>/h, 450 dpi, 2 pass</td> </tr> <tr> <td>Production Mode</td> <td>19 m<sup>2</sup>/h, 540 dpi, 3pass</td> <td>38 m<sup>2</sup>/h, 540dpi, 3pass</td> </tr> <tr> <td>Quality Mode</td> <td>14m<sup>2</sup>/h, 720dpi, 4pass</td> <td>28m<sup>2</sup>/h, 720 dpi, 4 pass</td> </tr> <tr> <td>High Quality Mode</td> <td>7m<sup>2</sup>/h, 720dpi, 8pass</td> <td>14m<sup>2</sup>/h, 720 dpi, 8pass</td> </tr> </tbody> </table>			8-Color Printing	4-Color Printing	Draft Mode	28m <sup>2</sup> /h, 450dpi, 2pass	57m <sup>2</sup> /h, 450 dpi, 2 pass	Production Mode	19 m <sup>2</sup> /h, 540 dpi, 3pass	38 m <sup>2</sup> /h, 540dpi, 3pass	Quality Mode	14m <sup>2</sup> /h, 720dpi, 4pass	28m <sup>2</sup> /h, 720 dpi, 4 pass	High Quality Mode	7m <sup>2</sup> /h, 720dpi, 8pass	14m <sup>2</sup> /h, 720 dpi, 8pass
		8-Color Printing	4-Color Printing														
	Draft Mode	28m <sup>2</sup> /h, 450dpi, 2pass	57m <sup>2</sup> /h, 450 dpi, 2 pass														
	Production Mode	19 m <sup>2</sup> /h, 540 dpi, 3pass	38 m <sup>2</sup> /h, 540dpi, 3pass														
Quality Mode	14m <sup>2</sup> /h, 720dpi, 4pass	28m <sup>2</sup> /h, 720 dpi, 4 pass															
High Quality Mode	7m <sup>2</sup> /h, 720dpi, 8pass	14m <sup>2</sup> /h, 720 dpi, 8pass															
Media Feeding System	Cylinder Type																
Ink Tray	Ink Tray (Preventing from Contaminating of The Rear Side of Thin Fabrics)																
Head Height Adjustment	3mm Fine Adjustment																
Fabric	Maximum Thickness : 1.0mm(0.039in.)																
	Outside Diameter : 300mm, Roll Inside Diameter : 50.8mm(2 in.), 76.2mm(3 in)																
Printing Precision Level	0.3mm, 0.3%																
Ink Feeding System	1 or 2 Kg per Color Big Ink System																
Head Cleaning	Automatic and Manual Head Cleaning																
Ink Types	Reactive Dye Ink																
	Acid Dye Ink																
	Disperse Dye Ink																
	Pigment Ink																
Interface	Ethernet 10Base-T																
Outside Dimensions	W 3,540mm x D 897mm x H 1,410mm																
Power	Print Mode : AC 220V, Single-Phase, 2A, 50/60Hz																
	Waiting Mode : AC 220V, Single-Phase, 0.6A, 50/60Hz																
Operational Environment	Power On - Temperature : 16~24°C / Humidity : 40~65%																
	Power Off - Temperature : 10~50°C / Humidity : 20~60%																
Weight	440 Kg																

## Setup Space [ unit : mm ]



d-gen International, Inc. may change the product and/or media specifications or accessories without any prior notice and has no liability for printing results in any case, d-gen International, Inc. is not responsible for any incidental and/or inevitable damage from using this product.



# *Arachne*

*Digital Textile Printer with best price performance.*



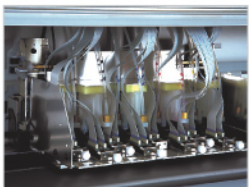
# The most cost-effective high productivity Digital Textile Printer

Equipped with a precision cylinder type feeder, d-gen Arachne is able to print directly on a variety of fabrics including cotton, silk, polyester, even some stretchable materials and Chiffon as thin as dragonflies' wings.

## d-gen Arachne - specializes in chiffon printing The Digital Textile Printer with the most effective price-performance

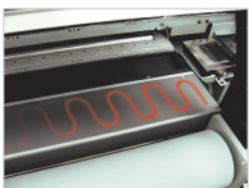
- 1 Run-ability:**  
Equipped with a stable solution (Printer, Ink, Software), d-gen Arachne provides you with high productivity without any loss in mass production or strike-off.
- 2** d-gen Arachne produces unique fine quality samples for each individual customer in a short time. When printing less than 1,500m<sup>2</sup> by d-gen Arachne, the production cost is even lower than traditional screen printing. Digitally printed samples can even produce traditional textile prints.
- 3** Digital Printing achieves 'production business on-demand' – to meet market demands with "no need" of keeping inventories – for modern textile related businesses that require short production times in response to short fashion cycles.
- 4** Furthermore, d-gen Arachne ensures remarkable color expression and easy color reproduction through its wide range of ink-compatibility for various fabric types as well as the scientific and systematic CMS (Color Management System).

## Main Features



### State-of-the-art "8 heads printing"

d-gen Arachne boasts the most advanced 8 heads printing configuration, which provides millions of color varieties using 8 color modes or dual 4 color modes and a maximum print speed of 28m<sup>2</sup>/hour at 720dpi resolution.



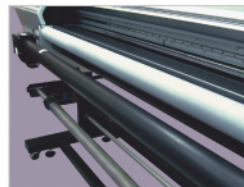
### Fabric Heater

Equipped built-in heat rays enable temperature controlled fabric drying.



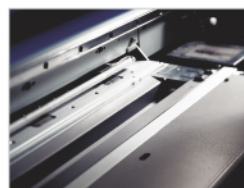
### Large Volume Ink Feeding System

The Bulk Ink Feeding System consists of 8 color combinations with a maximum 1kg/color or double 4 color combinations with maximum 2kg/color, enables ink refills during printing without getting your hands dirty.



### Cylinder System

The Roll Type Cylinder feeding system allows for extended hours of fine printing quality without twists or curves and hundreds of meters of elasticity and holes.



### Ink Tray

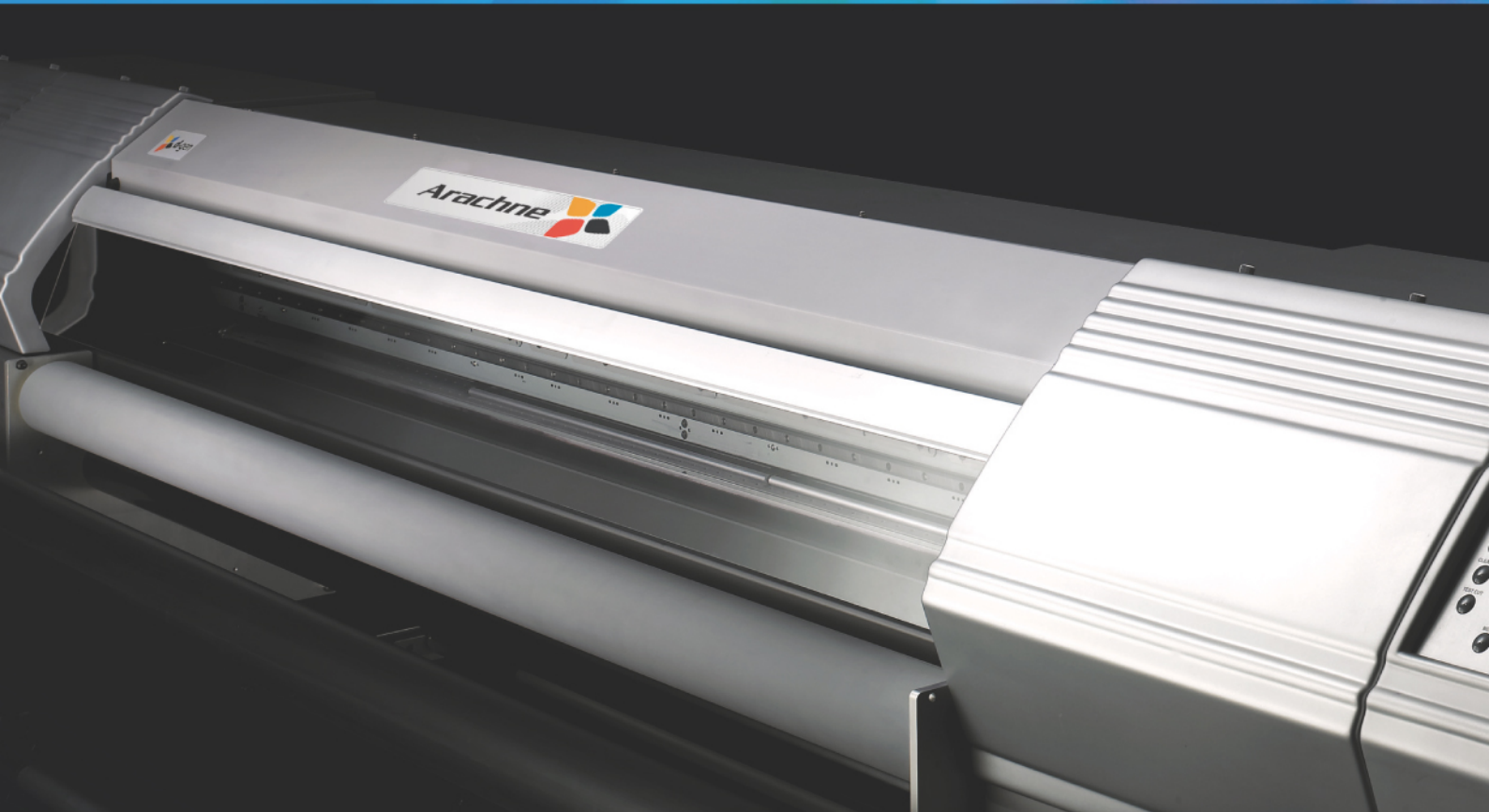
The specialized Ink Tray prevents contamination of the rear side of printed fabric when printing thin fabrics with holes like silk chiffon.



### Automatic Fabric Feeding System

Especially designed for high quality printing without banding.

# Arachne



## d·gen Digital Studio



d·gen dDS - innovative printing operation management software - implements the most desirable color representation and perfect reproduction support not only for traditional printing specialists but also for digital printing beginners. It controls color systematically and numerically so that you can get the exact color you want. Furthermore, dDS simulates and reproduces digitally printed samples in a traditional production methods.

## d·gen Textile Ink



Optimized for d·gen Digital Textile Printers, d·gen Textile Ink features stable ink flow without any clogging even in high speed printing of more than 100m<sup>2</sup> per hour. It realizes superb run-ability without any loss of media, labor or time.

## Offers a Variety of Business Opportunities

With high productivity, d·gen Arachne can print directly on all kinds of fabrics without any curvature that can produce strike-off within the shortest time. In addition to known applications like luxury suits, scarves, neckties, bags, sportswear, stage costumes, automobile seat covers, and interior decoration, Arachne will bring you unimaginable variety in new business opportunities.

