



## I-Fix

The I-Fix is a complete autonomous heat fixation unit that can be coupled in-line to each digital printer without the need of a mechanical or electrical interface.

Textile printing and heat fixation are automatically synchronised to a one step process. The I-Fix unit is developed for the fixation of disperse direct and disperse transfer/sublimation dyes.

The I-Fix is equipped with an electrically heated, aluminium drum, guaranteeing an even temperature in the full width of the drum and a quick heat transfer to the textile.

Due to the pressure-free heat fixation, the textile structure will be maintained while the paper free workflow of the I-Fix saves on consumables costs.

By placing the I-Fix behind the printer, it will not influence the printing process with heat generation and evaporated solvents.

The maintenance-free chains drive the drum. A fabric bar can be attached to the chain which greatly simplifies the feed-in handling of cloth into the I-Fix.

The I-Fix is delivered complete with its own embedded control-unit. The fixation chamber is equipped with an integrated exhaust to remove hazardous solvents, which evaporate easily at high fixation temperatures from the ink, thereby keeping the working environment and printer clean.

With temperatures between 50 and 220°C and dwell times from 10 seconds till several minutes the I-Fix is suitable for a wide range of drying and fixation applications.

The I-Fix series is available in a 1.85, 2.50 and 3.40 meter width and is made of 304 and 316 stainless steel and a coated aluminium drum.

The I-Fix is **CE** marked.

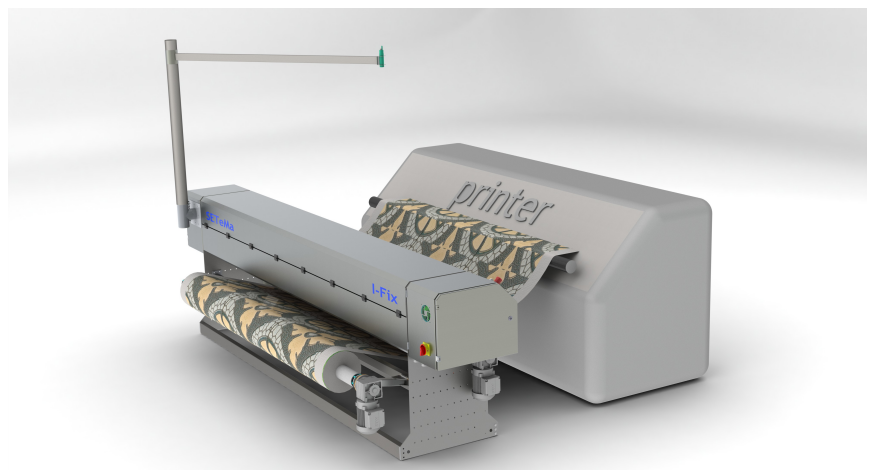
- complete autonomous heat fixation unit
- can be coupled in-line to each digital printer
- without the need of a mechanical or electrical interface
- for disperse direct and disperse transfer/sublimation dyes
- maintains the textile structure due to the pressure-free heat fixation
- paper free workflow
- integrated exhaust
- no influence on the printing process with heat generation and evaporated solvents
- efficient heat transfer by electrically heated, aluminium drum
- also suitable for universal drying applications
- easy to operate
- easy to maintain
- available in 1.85, 2.50 and 3.40 meter width
- stainless steel 304 and 316

options:

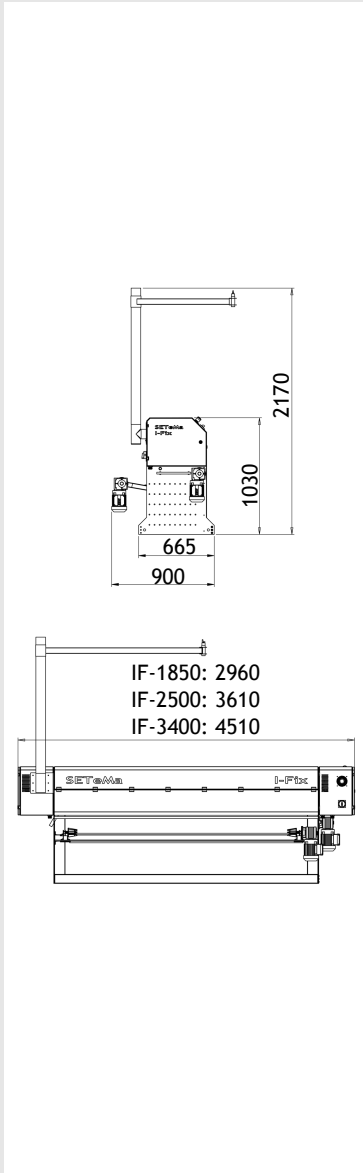
- parking shield that protects the cloth during a printer stop
- centre winder
- ascending batch winder
- transverse substrate correction with cloth side detection
- custom power / frequency



*An I-Fix-2500 in combination with a Printer*



## I-Fix technical specifications



<b>Type, capacity</b>		<b>IF</b>			
Fabric length inside I-Fix		1			[m]
Production capacity	150 sec. contact time	7.7			[m/h]
	60 sec. contact time	19.2			[m/h]
	30 sec. contact time	38.4			[m/h]
<b>Temperature range</b>	Drum temperature	50 - 220			[°C]
<b>Fixation</b>	Typical fixation temperature	175 - 200			[°C]
<b>Drying</b>	Typical drying temperature	110 - 160			[°C]
Evaporation capacity		4 - 7.5			[kg/h]
Maximum drying capacity	36 g/m <sup>2</sup> wet pick-up	60			[m/h]
	72 g/m <sup>2</sup> wet pick-up	30			[m/h]
<b>Type, width</b>		<b>1850</b>	<b>2500</b>	<b>3400</b>	
Fabric	maximum width	1.85	2.50	3.40	[m]
Fabric roll	maximum weight	60			[kg]
	maximum diameter	0.55			[m]
Speed min. - max.	hour based	6 - 120			[m/h]
	minute based	0.1 - 2			[m/min]
Exhaust fan	flow	150 - 600			[m <sup>3</sup> ]
Weights		330	385	490	[kg]
<b>Required Connections</b>		<b>1850</b>	<b>2500</b>	<b>3400</b>	
	power voltage	N + 3 x 230/400			[VAC]
	power current	16			[A]
	I-Fix heater, power	6	8.1	9.9	[kW]

### SETeMa B.V.

Kerkstraat 32, 5843 AP Westerbeek, NL  
 Phone : +31 485 385764  
 Fax : +31 485 385751  
 e-mail : info@setema.com  
 web : www.setema.com

### Marketing & Sales:

#### 2-some

Merel 11, 5831 MS Boxmeer, NL  
 Phone : +31 (0) 485 520322  
 Fax : +31 (0) 485 520322  
 E-mail : mail@2-some.com  
 web : www.2-some.com